

# SF Xtra Sound Attenuator Vent

Surface mounted noise reducing ventilator



SF Xtra Sound Attenuator internal



SF Sound Attenuator external

Suitable for:

PVCu



ALUMINIUM



TIMBER



The SF Xtra Sound Attenuator ventilator is a slot ventilator which provides high levels of sound attenuation compared to similar 'acoustic' products, in a compact size.

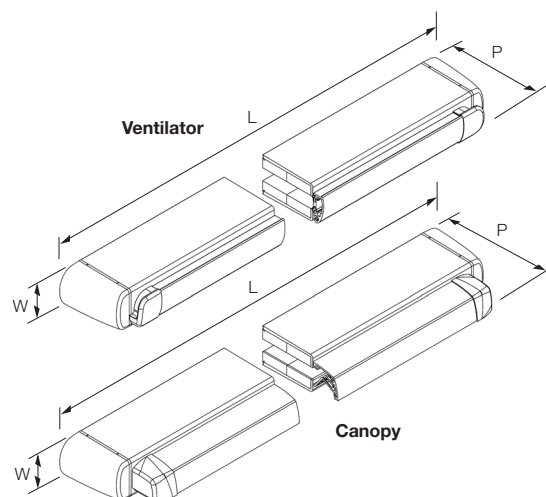
The SF Xtra Sound Attenuator can be purchased in a number of combinations based on different sizes of inner (ventilator) and outer (canopy). Combinations can be chosen depending on the sound attenuation requirement and can achieve up to  $D_{n,e,w} (C;Ctr) = 44 (-2;-3)$ dB when the vent is open.

The product is a cost effective method of reducing incoming noise in situations where conventional slot ventilators are unable to assist with acoustic issues.



The SF Xtra Sound Attenuator comes fitted with a Titon SF Xtra Ventilator and/or SF Canopy and fits the 2500mm<sup>2</sup> EA version over the standard SF, Trimvent Select or Select Xtra slot size.

## Features and Benefits

- Cost effective sound attenuating ventilator
- Independently tested by Sound Research Laboratories in accordance with BSEN20140-10:1992, ISO140-10:1991
- 2500mm<sup>2</sup> EA and 5000mm<sup>2</sup> EA versions available
- Vent sizes available: V25, V50, V75 and canopy sizes: C25, C50 and C75
- Can provide up to 44 D<sub>n,e,w</sub> attenuation, depending on combination
- Suitable for use in domestic or non-domestic installations
- Ideal for retrofit applications, over an existing slot
- Available in a range of combinations to suit different acoustic specifications
- Fits over a standard SF, Trimvent Select or Trimvent Select Xtra slot size
- Supplied with SF Xtra Ventilator and/or SF Canopy fitted
- High performance gasket combined with compression closing action improves sealing in adverse conditions
- Can be mounted to deflect air upwards or downwards
- For use over a 13mm slot
- Special paint finishes available



## Details

Product	Product Code	(L) Length	(W) Width	(P) Projection Closed-Open	Free Area (mm <sup>2</sup> )	Slot Detail
SF Xtra 2500EA vent only	TA5220	425	28	10-24	4207	
SF 418 Canopy only	TA5005	418	23	27	5114	
SF Xtra Sound Attenuator 2500EA vent 25mm	TA5221	464	35	37-51	3470	
SF Sound Attenuator 2500EA canopy 25mm	TA5202	464	35	54	3470	173.5 20 173.5
SF Xtra Sound Attenuator 2500EA vent 50mm	TA5223	464	35	62-76	3470	
SF Sound Attenuator 2500EA canopy 50mm	TA5204	464	35	79	3470	
SF Xtra Sound Attenuator 2500EA vent 75mm	TA5225	464	35	87-101	3470	
SF Sound Attenuator 2500EA canopy 75mm	TA5206	464	35	104	3470	
SF Xtra Sound Attenuator 5000EA Vent 75mm	TA5235	523	35	87-101	5517	215 8 215
SF Sound Attenuator 5000EA Canopy 75mm	TA5236	523	35	113.5	5517	

### Acoustic ratings

Product	Open	Closed	EA (mm <sup>2</sup> )
V75 + C75 (2500EA)	$D_{n,e,w}$ (C;Ctr) = 44 (-2;-3)dB	$D_{n,e,w}$ (C;Ctr) = 55 (-1;-5)dB	2500
V75 + C50 (2500EA)	$D_{n,e,w}$ (C;Ctr) = 42 (-1;-2)dB	$D_{n,e,w}$ (C;Ctr) = 55 (-2;-5)dB	2500
V75 + standard canopy (2500EA)	$D_{n,e,w}$ (C;Ctr) = 40 (-1;-2)dB	$D_{n,e,w}$ (C;Ctr) = 53 (-1;-4)dB	2500
V50 + C25 (2500EA)	$D_{n,e,w}$ (C;Ctr) = 39 (-1;-2)dB	$D_{n,e,w}$ (C;Ctr) = 55 (-2;-5)dB	2500
V50 + standard canopy (2500EA)	$D_{n,e,w}$ (C;Ctr) = 38 (-1;-2)dB	$D_{n,e,w}$ (C;Ctr) = 55 (-2;-5)dB	2500
V25 + C25 (2500EA)	$D_{n,e,w}$ (C;Ctr) = 36 (0;-2)dB	$D_{n,e,w}$ (C;Ctr) = 55 (-1;-5)dB	2500
V25 + standard canopy (2500EA)	$D_{n,e,w}$ (C;Ctr) = 35 (0;-1)dB	$D_{n,e,w}$ (C;Ctr) = 54 (-1;-4)dB	2500
Standard vent + C25 (2500EA)	$D_{n,e,w}$ (C;Ctr) = 35 (0;-1)dB	$D_{n,e,w}$ (C;Ctr) = 55 (1;-5)dB	2500
Standard vent + standard SF canopy (2500EA)	$D_{n,e,w}$ (C;Ctr) = 32 (1;0)dB	$D_{n,e,w}$ (C;Ctr) = 52 (-2;-4)dB	2500
V75 + C75 (Hi Spec Foam) (5000EA)	$D_{n,e,w}$ (C;Ctr) = 40 (-2;-3)dB	$D_{n,e,w}$ (C;Ctr) = 51 (-1;-4)dB	5000

### Manufactured from

Aluminium 6063A T6, component parts POM

### Recommended screws

4mm (No.8) Round Head or equivalent

When fitting to PVCu screw must go through two walls or into reinforcement

### Standards

Tested in accordance with BS EN 13141-1:2004 (air flow air leakage and weather tightness)

### Finishes

Suffix product code with -20 (white)

Other colour options available. Please contact sales for details.

### Performance

(Full details available on request)

Equivalent Area – See above

Free Area – See above

Air Leakage – 0.11m<sup>3</sup>/hr @ 50Pa (Vent and Canopy only)

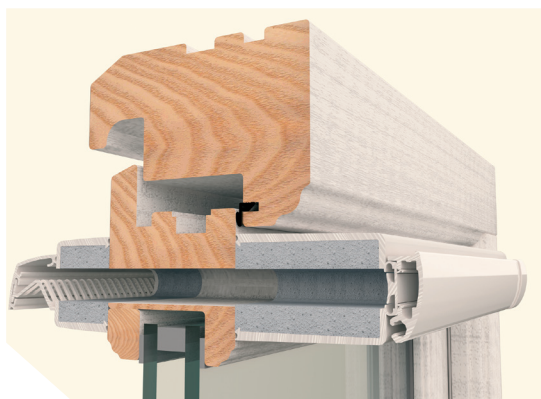
Water Resistance (Pa) – 750Pa

Acoustic  $D_{n,e,w}$  – see above

NB: For optimum performance the ventilator should be installed on a flat surface free from defects, and sealant should be used along all edges to achieve the desired acoustic result.

### More information

enquiries@titon.co.uk / 01206 713801



Through sash