

SF Xtra Sound Attenuator Vent

Surface mounted noise reducing ventilator



SF Xtra Sound Attenuator internal



SF Sound Attenuator external

Suitable for:



The SF Xtra Sound Attenuator ventilator is a slot ventilator which provides high levels of sound attenuation compared to similar 'acoustic' products, in a compact size.

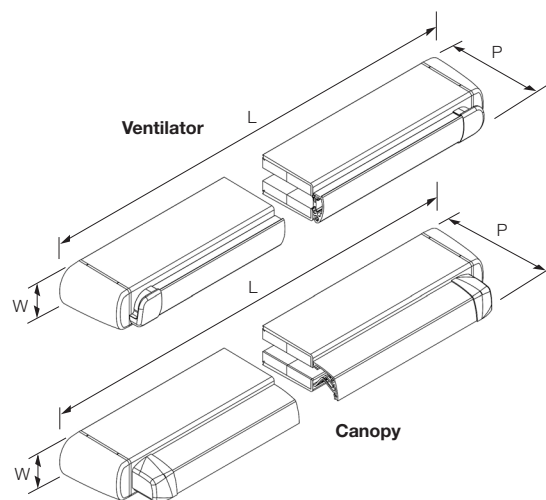
The SF Xtra Sound Attenuator can be purchased in a number of combinations based on different sizes of inner (ventilator) and outer (canopy). Combinations can be chosen depending on the sound attenuation requirement and can achieve up to $D_{n,e,w} (C;Ctr) = 44 (-2;-3)$ dB when the vent is open.

The product is a cost effective method of reducing incoming noise in situations where conventional slot ventilators are unable to assist with acoustic issues.



The SF Xtra Sound Attenuator comes fitted with a Titon SF Xtra Ventilator and/or SF Canopy and fits the 2500mm² EA version over the standard SF, Trimvent Select or Select Xtra slot size.

Features and Benefits

- Cost effective sound attenuating ventilator
- Independently tested by Sound Research Laboratories in accordance with BSEN20140-10:1992, ISO140-10:1991
- 2500mm² EA and 5000mm² EA versions available
- Vent sizes available: V25, V50, V75 and canopy sizes: C25, C50 and C75
- Can provide up to 44 $D_{n,e,w}$ attenuation, depending on combination
- Suitable for use in domestic or non-domestic installations
- Ideal for retrofit applications, over an existing slot
- Available in a range of combinations to suit different acoustic specifications
- Fits over a standard SF, Trimvent Select or Trimvent Select Xtra slot size
- Supplied with SF Xtra Ventilator and/or SF Canopy fitted
- High performance gasket combined with compression closing action improves sealing in adverse conditions
- Can be mounted to deflect air upwards or downwards
- For use over a 13mm slot
- Special paint finishes available



Details

Product	Product Code	(L) Length	(W) Width	(P) Projection Closed-Open	Free Area (mm ²)	Slot Detail
SF Xtra 2500EA vent only	TA5220	425	28	10-24	4207	
SF 418 Canopy only	TA5005	418	23	27	5114	
SF Xtra Sound Attenuator 2500EA vent 25mm	TA5221	464	35	37-51	3470	
SF Sound Attenuator 2500EA canopy 25mm	TA5202	464	35	54	3470	173.5 20 173.5
SF Xtra Sound Attenuator 2500EA vent 50mm	TA5223	464	35	62-76	3470	
SF Sound Attenuator 2500EA canopy 50mm	TA5204	464	35	79	3470	
SF Xtra Sound Attenuator 2500EA vent 75mm	TA5225	464	35	87-101	3470	
SF Sound Attenuator 2500EA canopy 75mm	TA5206	464	35	104	3470	
SF Xtra Sound Attenuator 5000EA Vent 75mm	TA5235	523	35	87-101	5517	215 8 215
SF Sound Attenuator 5000EA Canopy 75mm	TA5236	523	35	113.5	5517	

Acoustic ratings

Product	Open	Closed	EA (mm ²)
V75 + C75 (2500EA)	D _{n,e,w} (C;Ctr) = 44 (-2;-3)dB	D _{n,e,w} (C;Ctr) = 55 (-1;-5)dB	2500
V75 + C50 (2500EA)	D _{n,e,w} (C;Ctr) = 42 (-1;-2)dB	D _{n,e,w} (C;Ctr) = 55 (-2;-5)dB	2500
V75 + standard canopy (2500EA)	D _{n,e,w} (C;Ctr) = 40 (-1;-2)dB	D _{n,e,w} (C;Ctr) = 53 (-1;-4)dB	2500
V50 + C25 (2500EA)	D _{n,e,w} (C;Ctr) = 39 (-1;-2)dB	D _{n,e,w} (C;Ctr) = 55 (-2;-5)dB	2500
V50 + standard canopy (2500EA)	D _{n,e,w} (C;Ctr) = 38 (-1;-2)dB	D _{n,e,w} (C;Ctr) = 55 (-2;-5)dB	2500
V25 + C25 (2500EA)	D _{n,e,w} (C;Ctr) = 36 (0;-2)dB	D _{n,e,w} (C;Ctr) = 55 (-1;-5)dB	2500
V25 + standard canopy (2500EA)	D _{n,e,w} (C;Ctr) = 35 (0;-1)dB	D _{n,e,w} (C;Ctr) = 54 (-1;-4)dB	2500
Standard vent + C25 (2500EA)	D _{n,e,w} (C;Ctr) = 35 (0;-1)dB	D _{n,e,w} (C;Ctr) = 55 (1;-5)dB	2500
Standard vent + standard SF canopy (2500EA)	D _{n,e,w} (C;Ctr) = 32 (1;0)dB	D _{n,e,w} (C;Ctr) = 52 (-2;-4)dB	2500
V75 + C75 (Hi Spec Foam) (5000EA)	D _{n,e,w} (C;Ctr) = 40 (-2;-3)dB	D _{n,e,w} (C;Ctr) = 51 (-1;-4)dB	5000

Manufactured from

Aluminium 6063A T6, component parts POM

Recommended screws

4mm (No.8) Round Head or equivalent
When fitting to PVCu screw must go through two walls or into reinforcement

Standards

Tested in accordance with BS EN 13141-1:2004 (airflow air leakage and weather tightness)

Finishes

Suffix product code with -20 (white)
Other colour options available. Please contact sales for details.

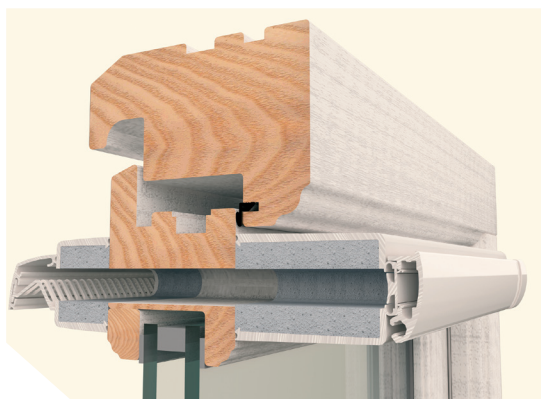
Performance

(Full details available on request)
Equivalent Area – See above
Free Area – See above
Air Leakage – 0.11m³/hr @ 50Pa (Vent and Canopy only)
Water Resistance (Pa) – 750Pa
Acoustic D_{n,e,w} – see above

NB: For optimum performance the ventilator should be installed on a flat surface free from defects, and sealant should be used along all edges to achieve the desired acoustic result.

More information

enquiries@titon.co.uk / 01206 713801



Through sash